

RO PERFORMANCE

Initial Production Capacity
SDI ≤ 5 $\geq 144,000$ GPD / 100 GPM

System capacity based on operating with a feed of 500 ppm NaCl at 110 psig, 77°F, and pH 7.5

Max Operating Pressure 225 psig
System Projected Rejection Rates $>95\%$
Recovery Rate 65% (Min) / 75% (Max)
Higher recovery rates are achieved with reject recirculation.

FEEDWATER REQUIREMENTS

Maximum Allowable SDI 5 (SDI)
Maximum LSI (reject side) < 0
Maximum Free Chlorine 0.0 ppm
Operating Temperature 33°F - 113°F
Operating pH 6 - 11

SYSTEM DIMENSIONS (Approximate)

Height 62 inches
Width 144 inches
Depth 40 inches
Shipping Weight 3500 lbs

ELECTRICAL REQUIREMENTS

Control Voltage 120 VAC , 0.3 Amp

Pump Motor Voltage . . . 460 VAC, 3-Phase
Hertz 50 /60 Hz
Current (Full Load) 34 Amp

Other Electrical Potentials are Available.

PLUMBING REQUIREMENTS

Inlet Pipe Size ≥ 3 " inches
Inlet Pipe Materials PVC
Inlet Required Flow Rate . . . 200 GPM (Max)
Minimum Inlet Dynamic Pressure . . . 20 psig
Maximum Inlet Pressure 100 psig

Required Pressure and Flow Rates will Vary
Dependent on flux and percent recovery.

Inlet Required Pressure 20 - 100 psig
Drain Pipe Requirement $\geq 2-1/2$ inch
Recommended Drain Pipe Material. PVC
Drain Flow Capacity 140 GPM
Permeate Pipe Size $\geq 2-1/2$ inch
Permeate Pipe Material PVC or Compatible

SYSTEM FRAME

Configuration Horizontal
 Material of Construction Steel
 Frame Finish Powder Coated Enamel

SYSTEM PUMP

Manufacturer Grundfos
 Type C-Series
 Material of Construction Stainless Steel
 Horse Power Rating 25 H.P
 Motor Enclosure ODEP

FEED WATER PLUMBING

Connection 3" Flange
 Material of Construction PVC

REJECT WATER PLUMBING

Connection 2" Flange
 Material of Construction PVC

WETTED MATERIALS

| | |
|---------------|-----------------|
| Brass | Stainless Steel |
| Polypropylene | ABS |
| Ceramic | PVC |
| EPDM | Polysulfone |

REVERSE OSMOSIS MEMBRANES

Manufacturer Toray
 Model TMG20-400
 Size 8 x 40
 Nominal Flow Rating . . . 10,200 GPD at 110 PSI
 Initial Salt Passage < 5%)
 Quantity 18

INSTRUMENTATION

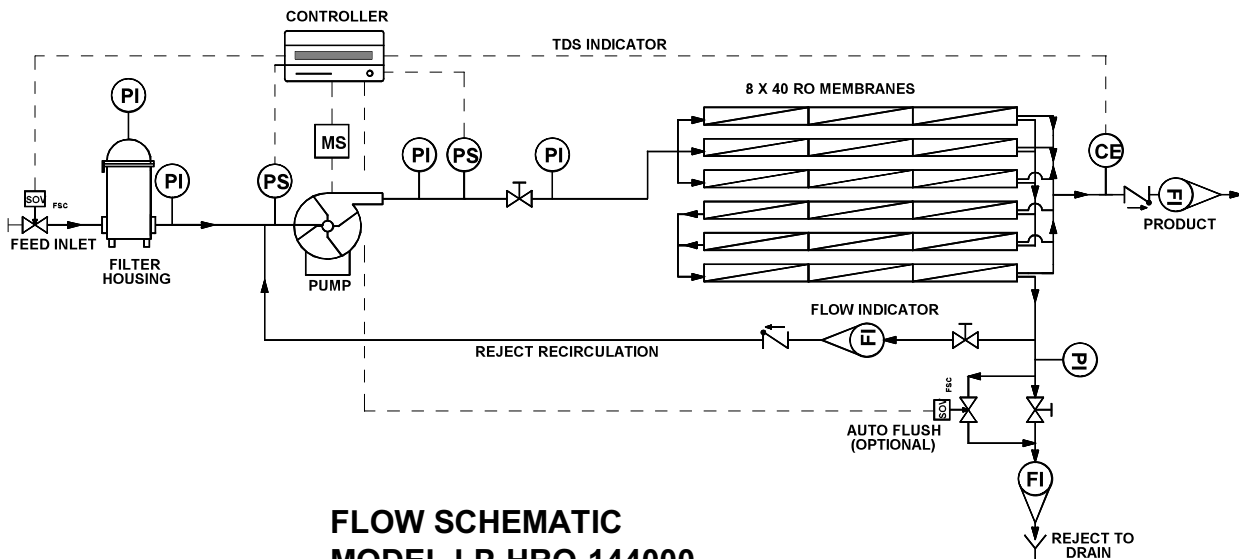
Controller SERIES 150
 Flow Meters Mechanical Rotometers
 Pressure Gauges Liquid Filled Brass

STANDARD FEATURES

| | |
|------------------------|----------------------|
| Low Pressure Cut-Out | Tank Full Control |
| TDS Permeate Monitor | Pretreat Lock-out |
| Aux Pump Output | Alarm Outputs |
| Temperature Display | Run Hour Display |
| Inlet Solenoid Cut-Off | Warning Display |
| S.S. Filter Housing | Reject Recirculation |

OPTIONS

| | |
|-------------------------|------------|
| High Pressure Cut-out | Auto Flush |
| Percent Rejection Meter | TEFC Motor |



**FLOW SCHEMATIC
 MODEL LP-HRO-144000**

Authorized Dealer

Water Resources Co.
 8309 Cactus Wren
 San Antonio, TX. 78255
 Ph: (210) 698-8960
 Fax: (210) 698-7719

